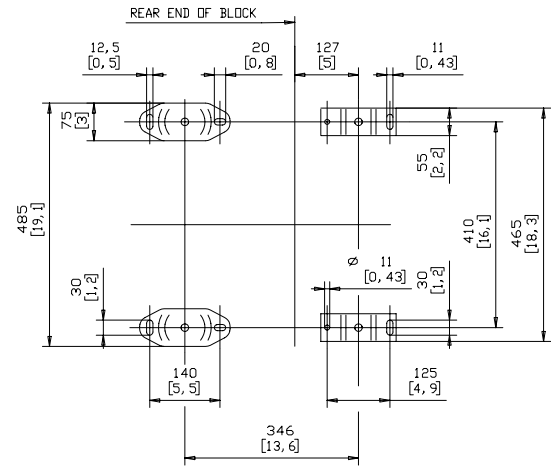
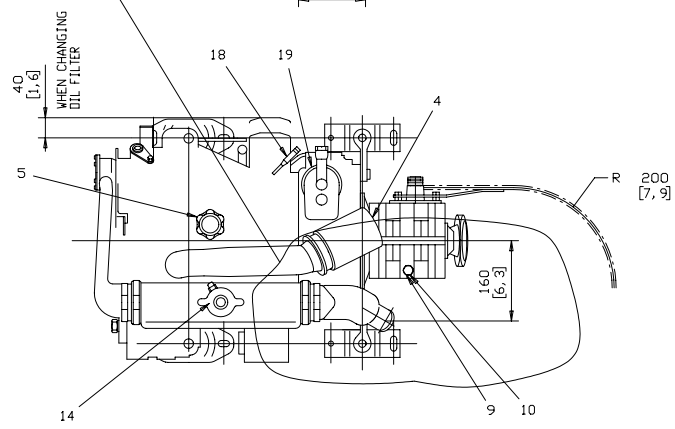
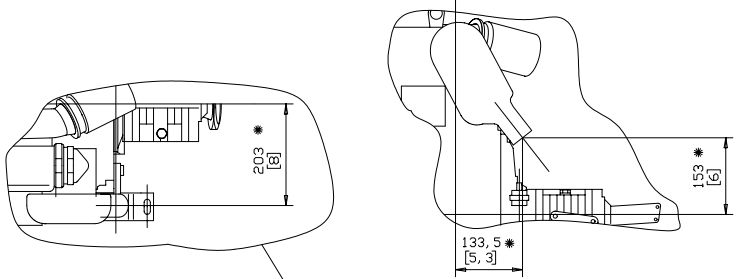


- ① LIFTING DEVICE
 - ② ● CENTRE OF GRAVITY
 - ③ EXHAUST ELBOW FOR HOSE I. D 44(1,75)
 - ④ AIR FILTER
 - ⑤ OIL FILLING
 - ⑥ OIL DIPSTICK ENGINE
 - ⑦ OIL FILTER
 - ⑧ OIL DRAIN (WITH PUMP) ENGINE
 - ⑨ OIL DIPSTICK REVERSE GEAR
 - ⑩ OIL FILLER CAP REVERSE GEAR
 - ⑪ OIL DRAIN REVERSE GEAR
 - ⑫ WATER INLET FOR HOSE I. D 19(0,75)
 - ⑬ SEA WATER PUMP
 - ⑭ WATER FILLER CAP FRESH WATER
 - ⑮ HEATWATEROUTLET
 - ⑯ HEATWATERINLET
 - ⑰ FUEL CONNECTION FOR HOSE I. D 9(3/8)
 - ⑱ FUEL RETURN CONNECTION FOR HOSE I. D 9(3/8)
 - ⑲ FUEL FILTER
 - ⑳ SPEED CONTROL LEVER
 - ㉑ CONNECTING BOX FOR EXTENSION CABLE
 - ㉒ BATTERY MINUS (-) CONNECTION
 - ㉓ PLUS (+) CONNECTION FOR CHARGING DISTRIBUTOR
 - ㉔ STARTER BATTERY PLUS (+) CONNECTION
- * DIMENSION WITH EXHAUST RISER (ACCESSORIES)



DIMENSION IN MILLIMETRES AND INCHES

3590388		VOLVO PENTA	
DIMENSION DWG			
SCALE	1:5	TOP TYPE	2030-D / MS10A
BY	MR	990506	827N, NR
DESIGNED			DRAWING NO.
CHECKED			3590388
APPROVED			01

