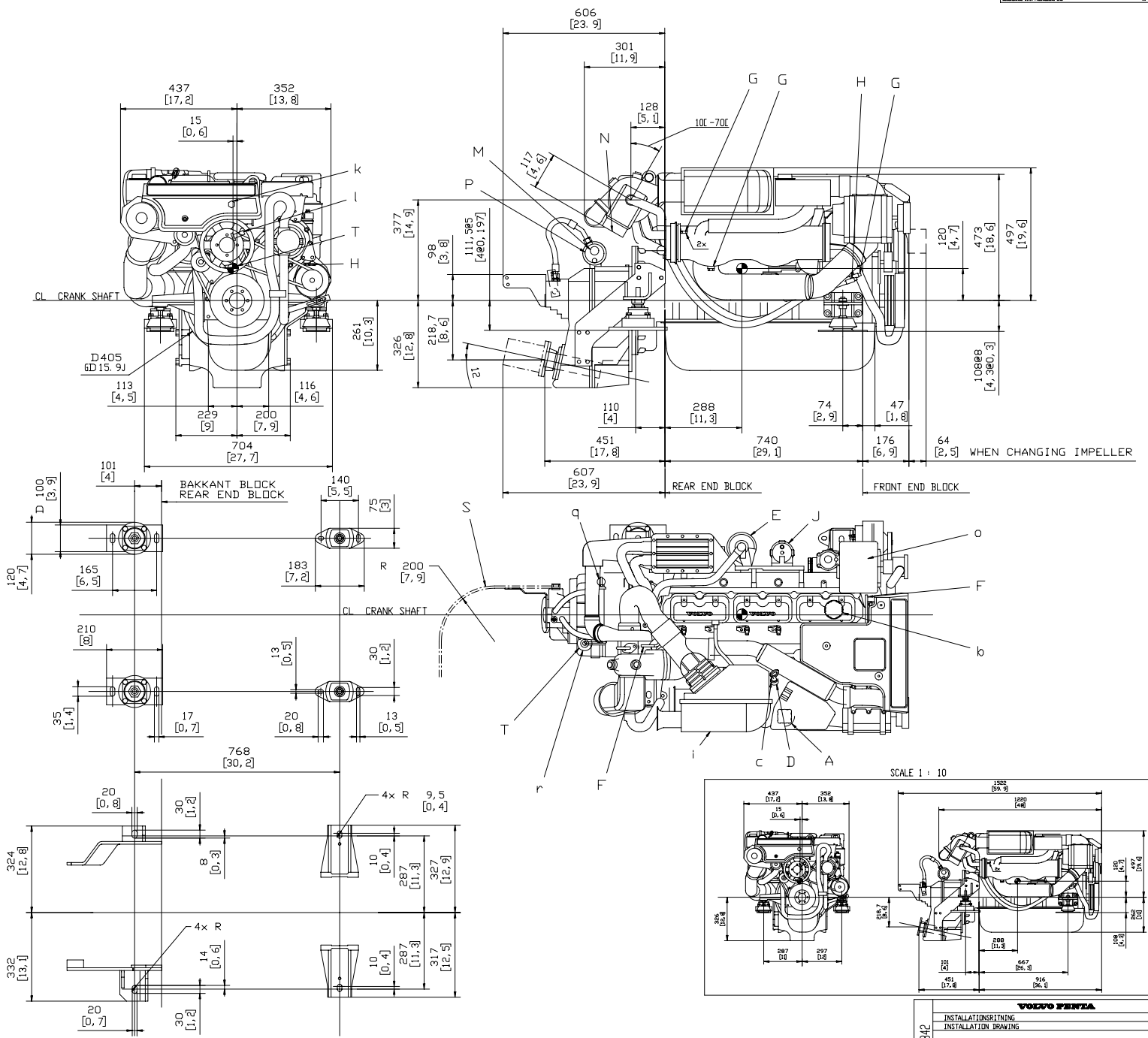
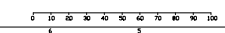


- (A) WATER FILLER CAP FRESH WATER
- (B) OIL FILLER CAP, ENGINE
- (C) OIL DIP STICK, ENGINE
- (D) OIL DRAIN (WITH PUMP), ENGINE
- (E) OIL FILTER
- (F) LIFTING DEVICE
- (G) WATER DRAIN, FRESH WATER
- (H) WATER DRAIN, SEA WATER
- (I) AIR FILTER
- (J) FUEL FILTER
- (K) HEAT WATER OUTLET COMPRESSION SIDE 1/2-14 NPSF
- (L) HEAT WATER OUTLET LOW SIDE 1/2-14 NPSF
- (M) WATER INLET FOR PIPE D1.25 D.D
- (N) WATER COOLED EXHAUST PIPE FOR HOSE D4.0 I.D
- (O) CONNECTION BOX
- (P) OILCOOLER, REVERSE GEAR
- (Q) OIL DIPSTICK, REVERSING GEAR
- (R) OIL SUCTION FILTER REVERSING GEAR
- (S) GEAR CONTROL CABLE
- (T) CENTRE OF GRAVITY
- (U) OIL DRAIN REVERSING GEAR (WITH PUMP)



DIMENSION IN MILLIMETRES AND INCHES



| | |
|-------------------------|-----------|
| VOLVO PENTA | |
| INSTALLATION/RETRIEVING | |
| INSTALLATION DRAWING | |
| NO. 3590342 | REV. 1 |
| DATE | TYPE |
| BY | CHKD |
| MR 980414 | MR 980414 |
| PC 980415 | PC 980415 |
| KAMD43P - HS63V | |
| 3590342 | 01 |