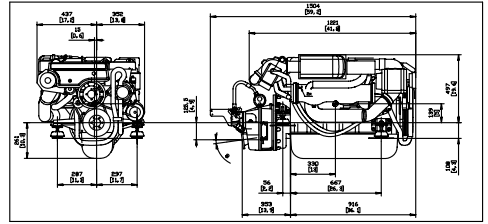
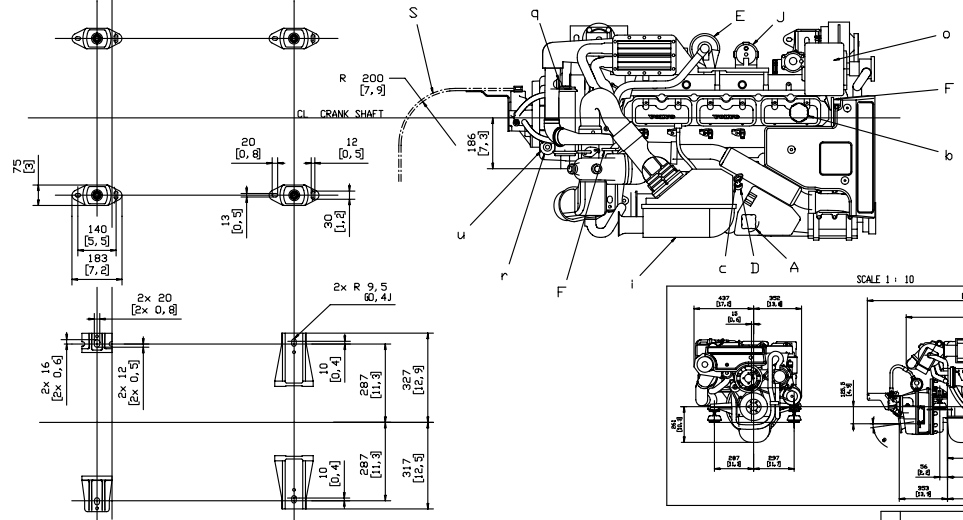
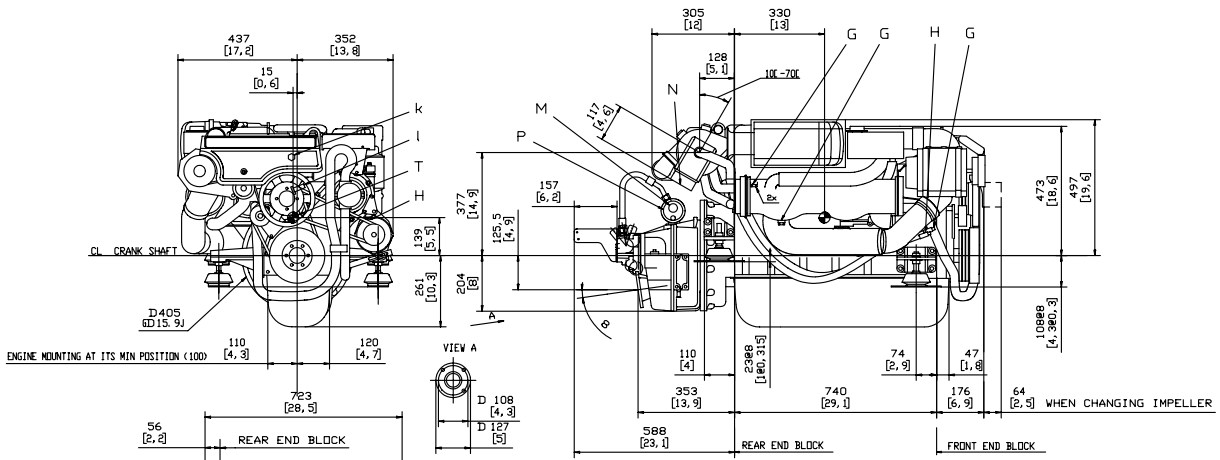


- (A) WATER FILLER CAP FRESH WATER
- (B) OIL FILLER CAP, ENGINE
- (C) OIL DIP STICK, ENGINE
- (D) OIL DRAIN (WITH PUMP), ENGINE
- (E) OIL FILTER
- (F) LIFTING DEVICE
- (G) WATER DRAIN, FRESH WATER
- (H) WATER DRAIN, SEA WATER
- (I) AIR FILTER
- (J) FUEL FILTER
- (K) HEAT WATER OUTLET COMPRESSION SIDE 1/2-14 NPSF
- (L) HEAT WATER OUTLET LOW SIDE 1/2-14 NPSF
- (M) WATER INLET FOR PIPE ID. 25 D.B
- (N) WATER COOLED EXHAUST PIPE FOR HOSE ID.4.0 L.B
- (O) CONNECTION BOX
- (P) OIL COOLER, REVERSE GEAR
- (Q) OIL DIPSTICK, REVERSING GEAR
- (R) OIL SUCTION FILTER REVERSING GEAR
- (S) GEAR CONTROL CABLE
- (T) CENTRE OF GRAVITY
- (U) OIL DRAIN REVERSING GEAR (WITH PUMP)



DIMENSION IN MILLIMETRES AND INCHES

KAWASAKI			
INSTALLATION DRAWING			
3590336			
REV	DATE	BY	CHK
01			
KAWASAKI		KAWASAKI	
3590336		3590336	
01		01	