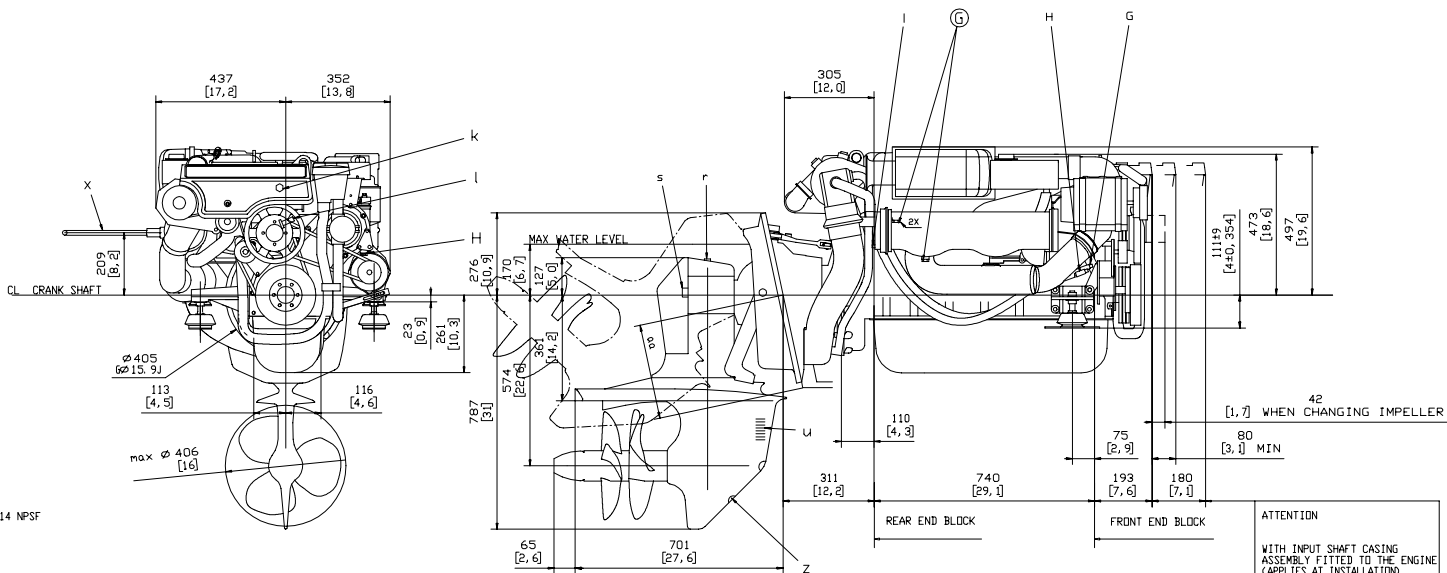
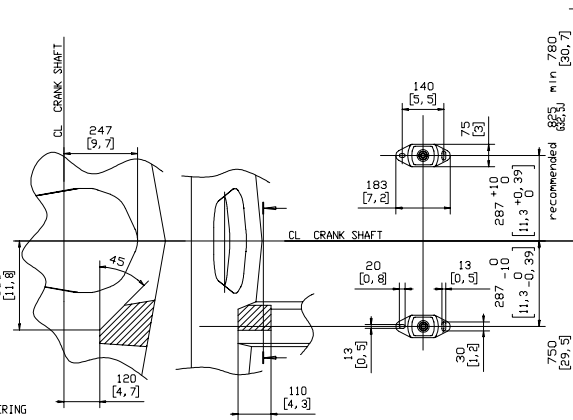


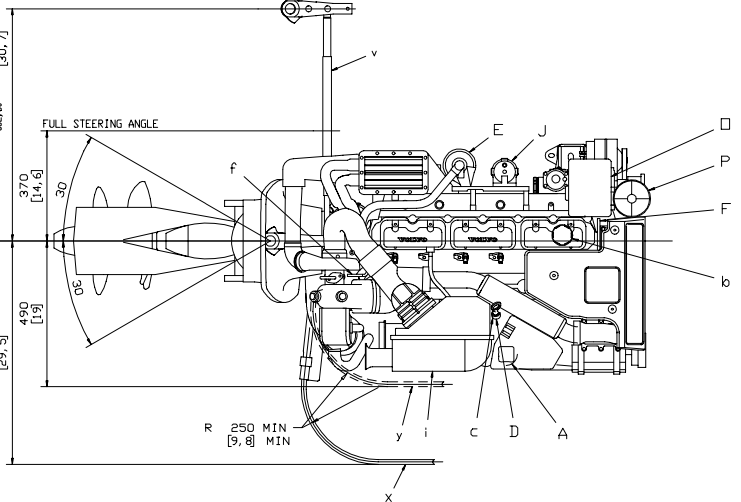
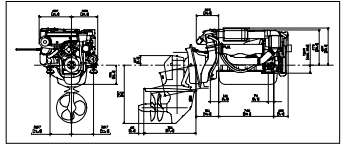
- (A) WATER FILLER CAP FRESH WATER
- (B) OIL FILLER CAP, ENGINE
- (C) OIL DIP STICK, ENGINE
- (D) OIL DRAIN (WITH PUMP), ENGINE
- (E) OIL FILTER
- (F) LIFTING DEVICE
- (G) WATER DRAIN, FRESH WATER
- (H) WATER DRAIN, SEA WATER
- (I) AIR FILTER
- (J) FUEL FILTER
- (K) HEAT WATER OUTLET COMPRESSION SIDE 1/2-14 NPSF
- (L) HEAT WATER OUTLET LOW SIDE 1/2-14 NPSF
- (P) CONNECTION BOX
- (R) OIL DIP STICK OUTBOARD DRIVE
- (S) OIL FILTER OUTBOARD DRIVE
- (U) WATER INLET
- (V) TIE BAR 1140561
- (X) STEERING CABLE FOR POWER STEERING
- (Y) STEERING CABLE WITHOUT POWER STEERING
- (Z) OIL DRAIN OUTBOARD DRIVE
- AA SEE DWG 7733849



ATTENTION  
WITH INPUT SHAFT CASING ASSEMBLY FITTED TO THE ENGINE (APPLIES AT INSTALLATION)



SCALE 1: 20



DIMENSION IN MILLIMETRES AND INCHES

3590299		WORLD PREPARED	
DIMENSION INGS KAB 43/ RP			
REV	DATE	BY	CHK
01			
02			
03			
3590299		03	