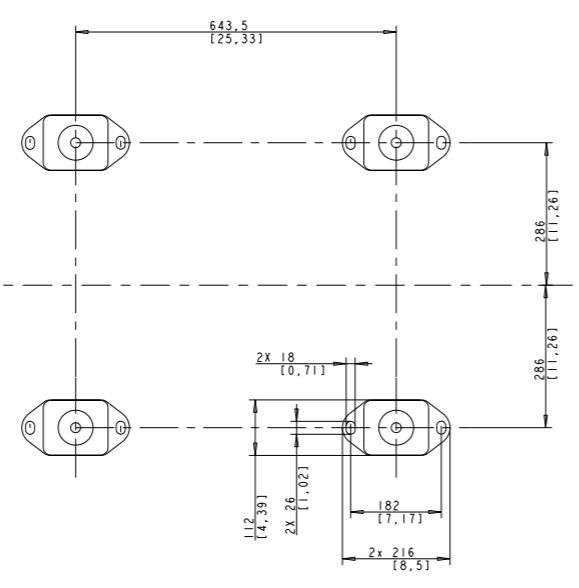
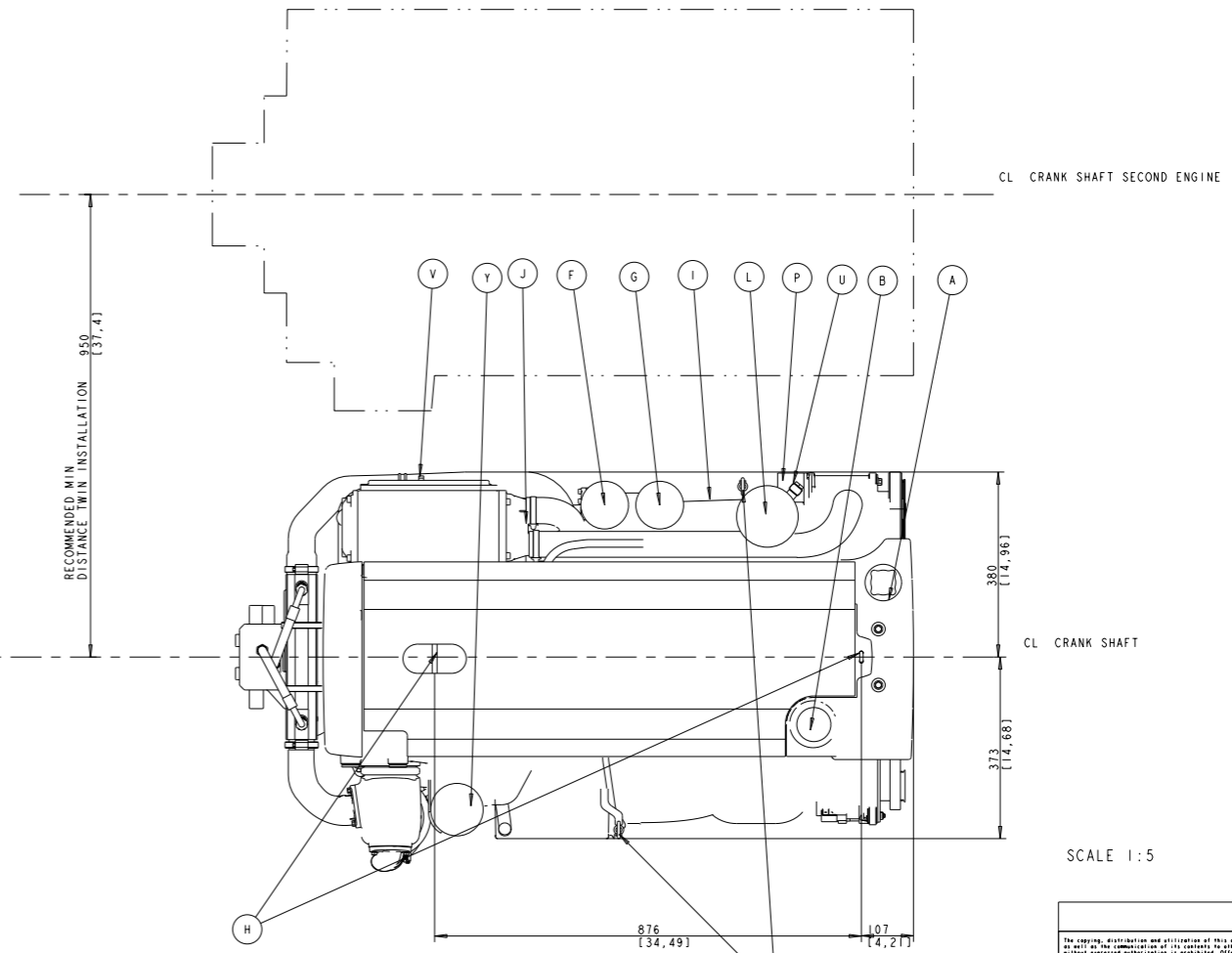
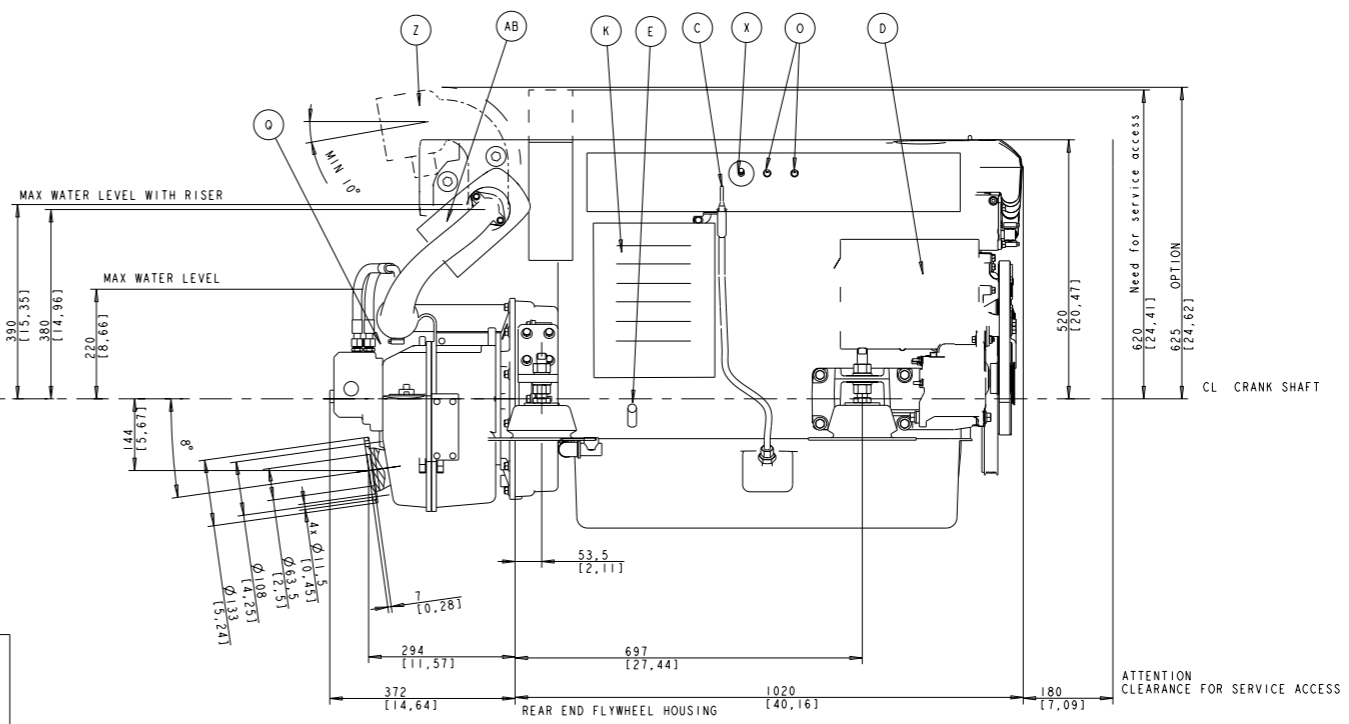
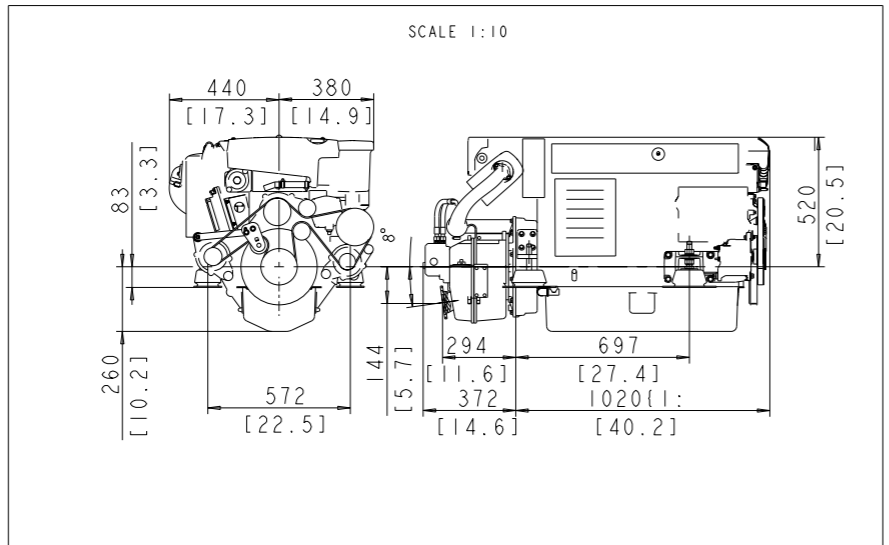
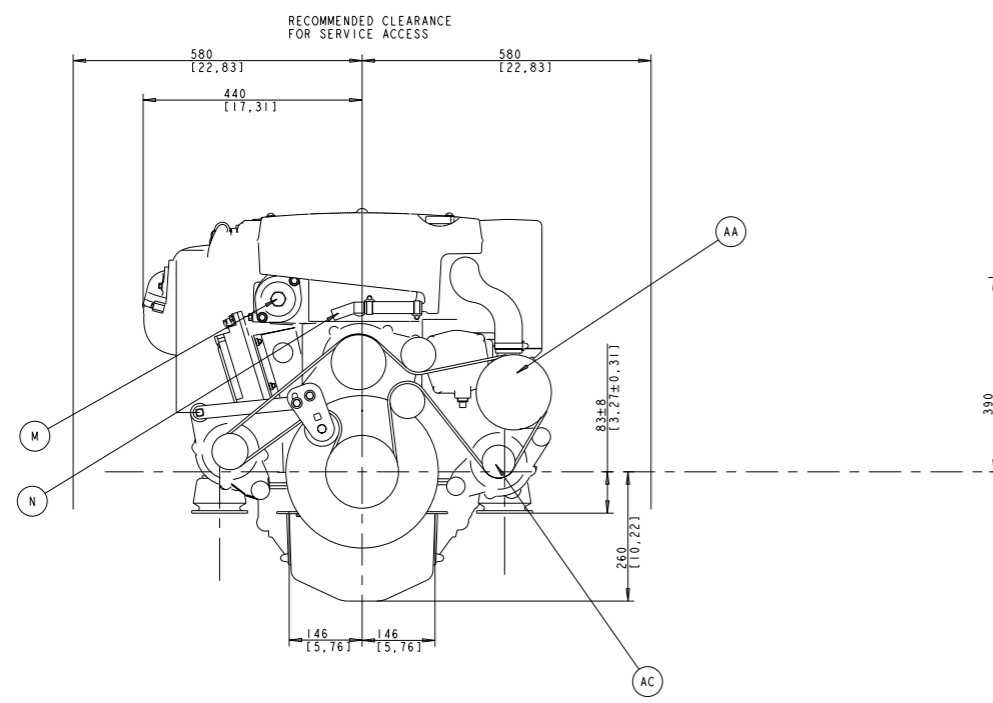


- (A) WATER FILLER CAP, FRESH WATER
- (B) OIL FILLER CAP, ENGINE
- (C) OIL DIP STICK, ENGINE LEFT OR RIGHT SIDE MOUNTED
- (D) ECU CONTROL UNIT
- (E) OIL DRAIN PIPE, ENGINE Ø12.5
- (F) OIL FILTER MAIN
- (G) OIL FILTER BYPASS
- (H) LIFTING EYE
- (I) WATER DRAIN, FRESH WATER
- (J) WATER DRAIN, SEA WATER
- (K) AIR FILTER
- (L) FUEL FILTER
- (M) HOT WATER OUTLET Ø16
- (N) HOT WATER INLET Ø16
- (O) ELECTRICAL FUSES (ONLY 24V)
- (P) SEA WATER INLET Ø50
- (Q) OIL DIP STICK REVERSE GEAR
- (R) CENTRE OF GRAVITY
- (S) WATER INLET
- (T) OIL DRAIN REVERSE GEAR
- (U) FUEL INLET CONNECTION
- (V) FUEL RETURN TO TANK
- (X) ENGINE STOP
- (Y) CRANK CASE VENTILATION
- (Z) EXHAUST RISER Ø127 (5") (OPTION)
- (AA) SEA WATER PUMP
- (AB) EXHAUST ELBOW Ø127 (5")
- (AC) EXTRA ALTERNATOR



SCALE 1:5

The copying, distribution and utilization of this document as well as the compilation of its contents or other material derived therefrom is prohibited, unless otherwise stated in writing by the copyright holder. All rights reserved to the extent of the grant of patent, utility model or ornamental design registration.		SYMBOLS, DESIGNATIONS AND GENERAL DRAWING METHODS STD 5023:501
VOLVO PENTA		Document title D6 / HS63A
Document No 3590993		Issue index 01
Sheet No 1111		Document type