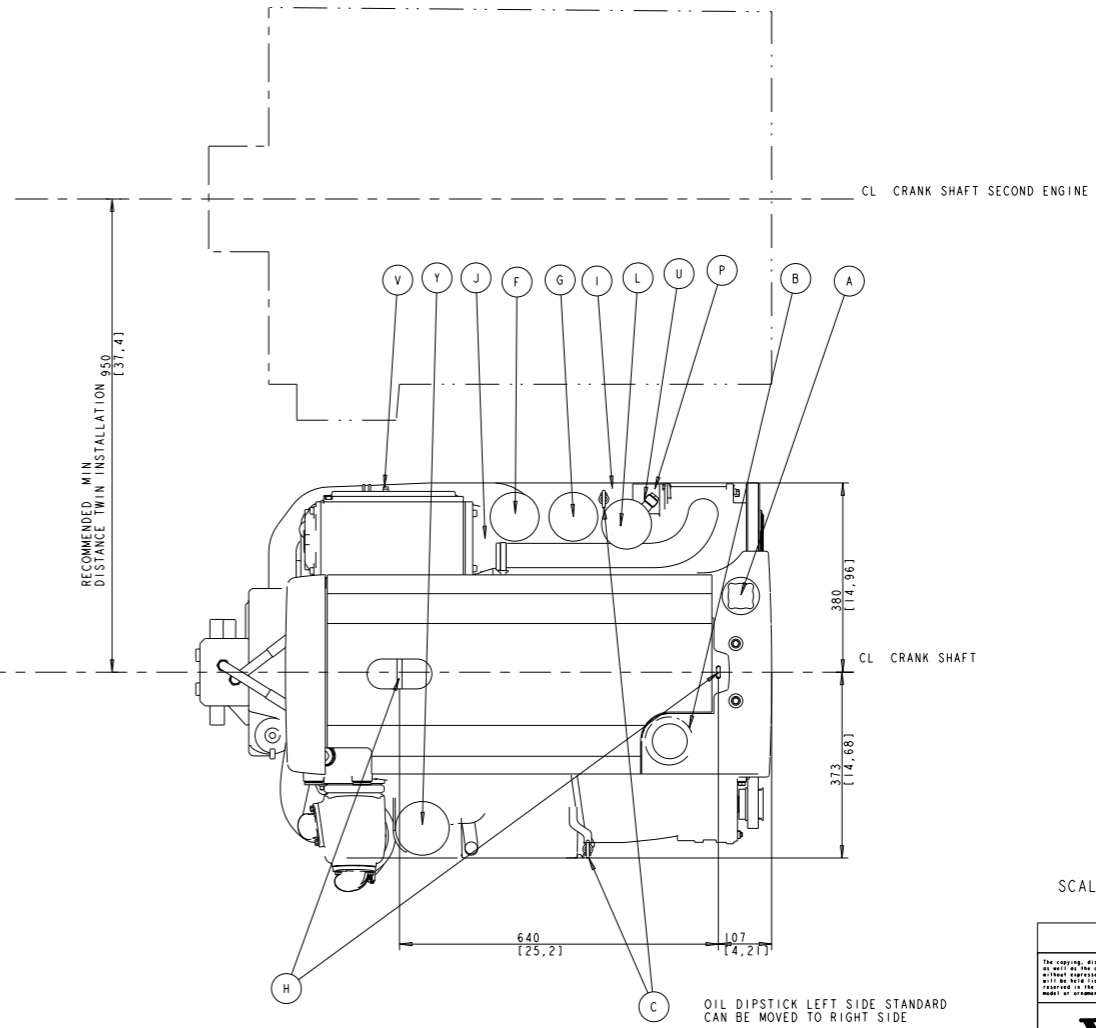
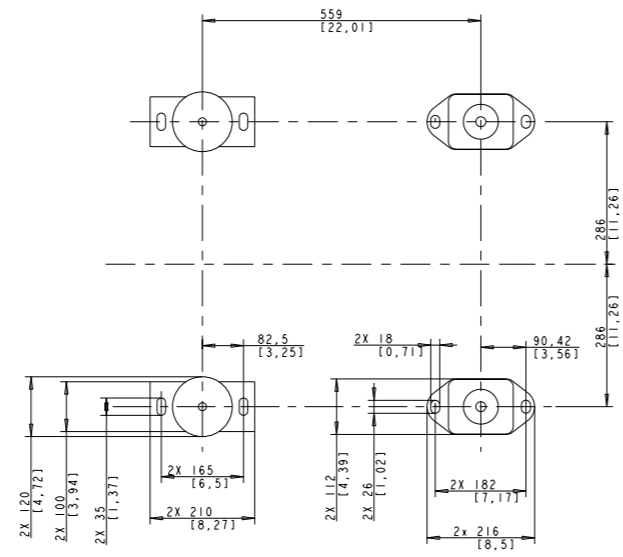
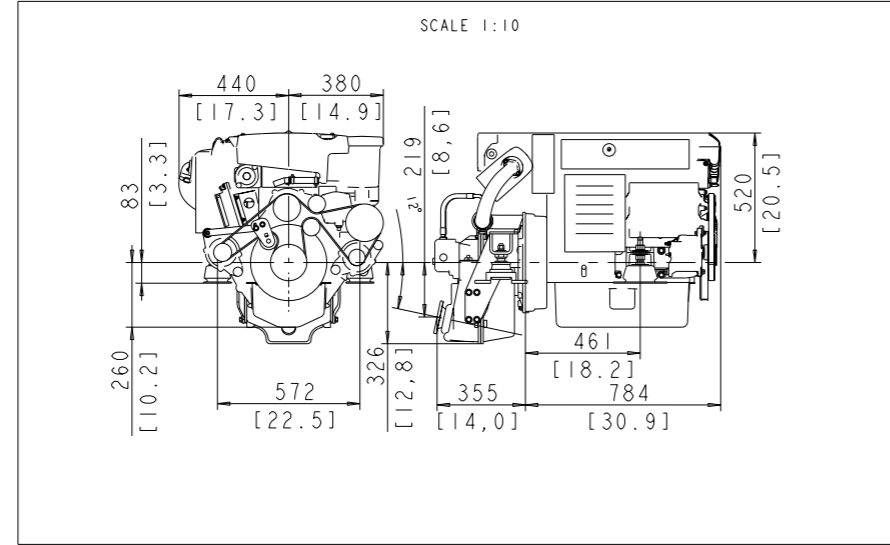
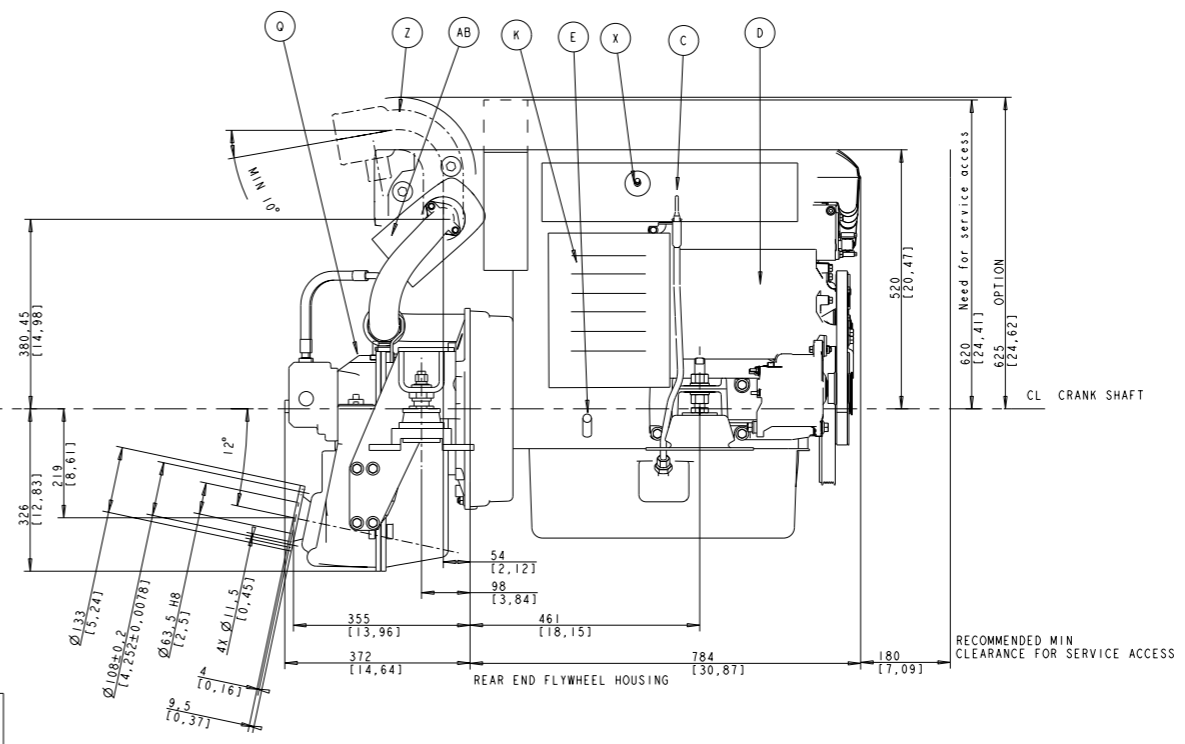
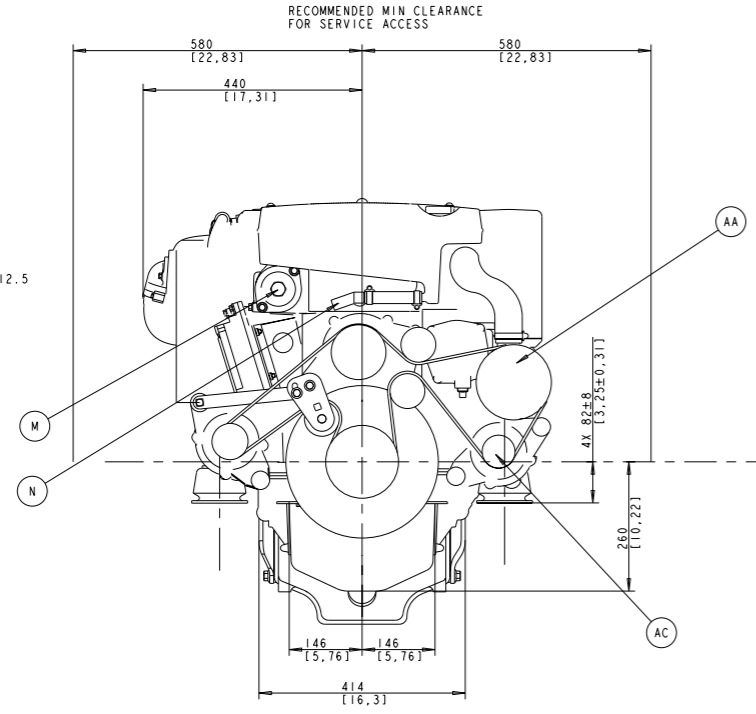


- (A) WATER FILLER CAP, FRESH WATER
- (B) OIL FILLER CAP, ENGINE
- (C) OIL DIPSTICK, ENGINE LEFT OR RIGHT SIDE MOUNTED
- (D) ENGINE CONTROL UNIT
- (E) OIL DRAIN (WITH PUMP), ENGINE Ø12.5
- (F) OIL FILTER MAIN
- (G) OIL FILTER BYPASS
- (H) LIFTING EYE
- (I) WATER DRAIN, FRESH WATER
- (J) WATER DRAIN, SEA WATER
- (K) AIR FILTER
- (L) FUEL FILTER
- (M) HOT WATER OUTLET
- (N) HOT WATER INLET
- (P) SEA WATER INLET Ø38
- (Q) OIL DIPSTICK REVERSE GEAR
- (R) CENTRE OF GRAVITY
- (T) OIL DRAIN REVERSE GEAR
- (U) FUEL INLET CONNECTION
- (V) FUEL RETURN TO TANK
- (X) ENGINE STOP
- (Y) CRANKCASE VENTILATION
- (Z) EXHAUST RISER Ø 102 (4") (OPTION)
- (AA) SEA WATER PUMP
- (AB) EXHAUST ELBOW Ø102 (4")
- (AC) EXTRA ALTERNATOR



SCALE 1:5

The copying, distribution and utilization of this document as well as the communication of its contents to other persons without the express written permission of the copyright holder is prohibited. Offenders will be held liable for the payment of damages. All rights reserved to the extent of the grant of patent, utility model or trademark design registration.		SYMBOLS, DESIGNATIONS AND GENERAL DRAWING METHODS STD 5023:501
<b>VOLVO PENTA</b>		Document Title <b>D4 / HS63V</b>
Document No <b>3589746</b>		Issue Index <b>01</b>
Sheet No <b>1111</b>		Sheet Size <b>A4</b>