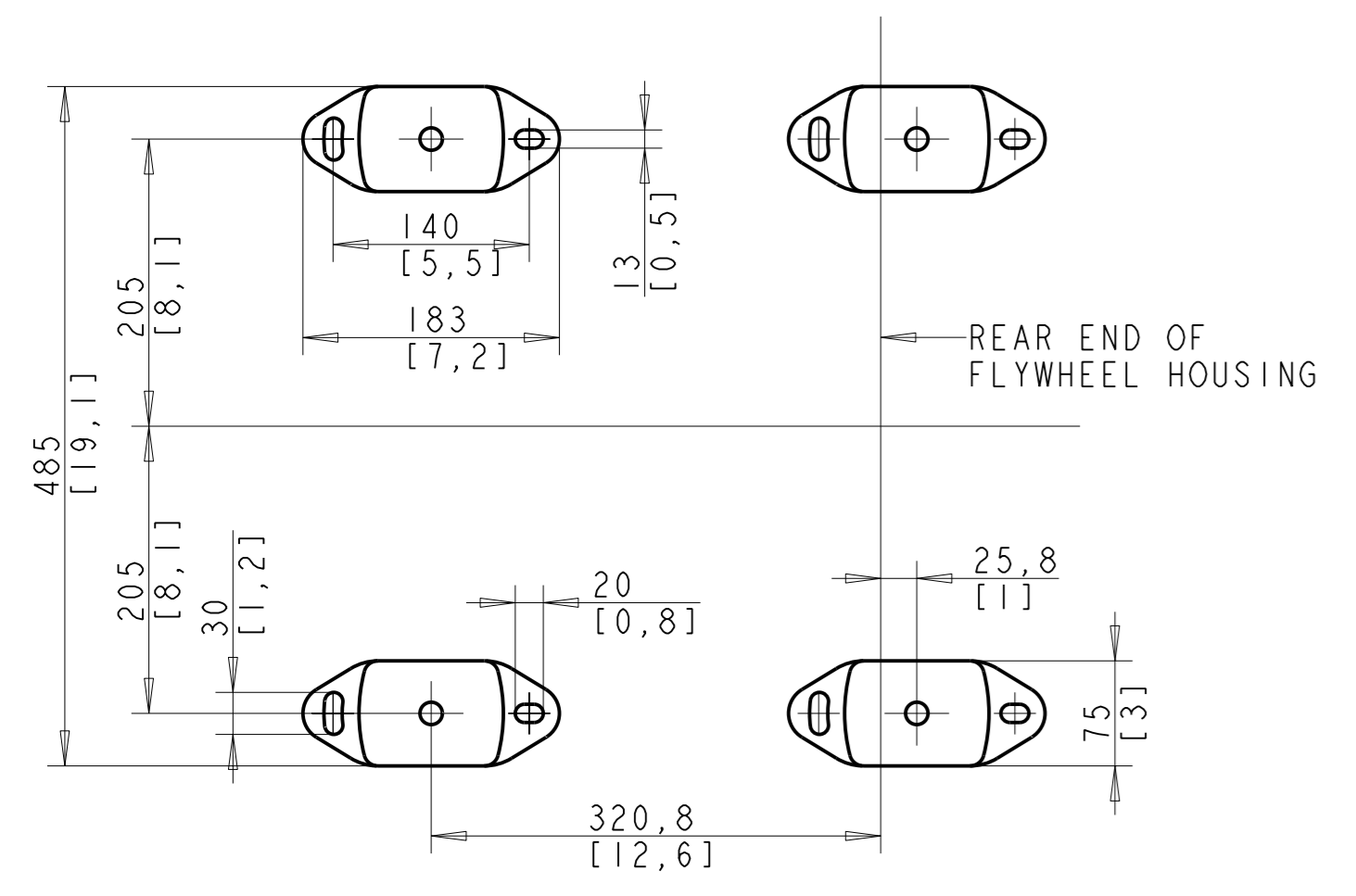
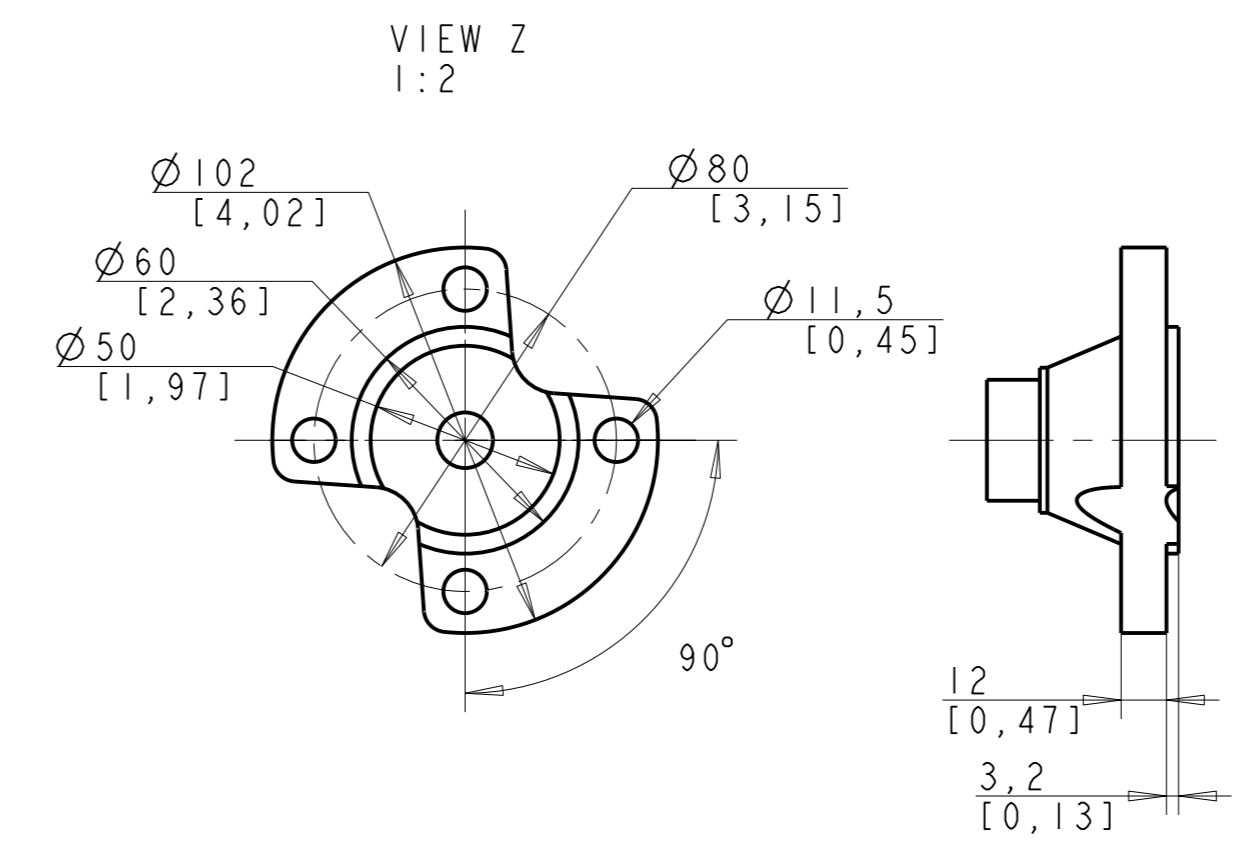
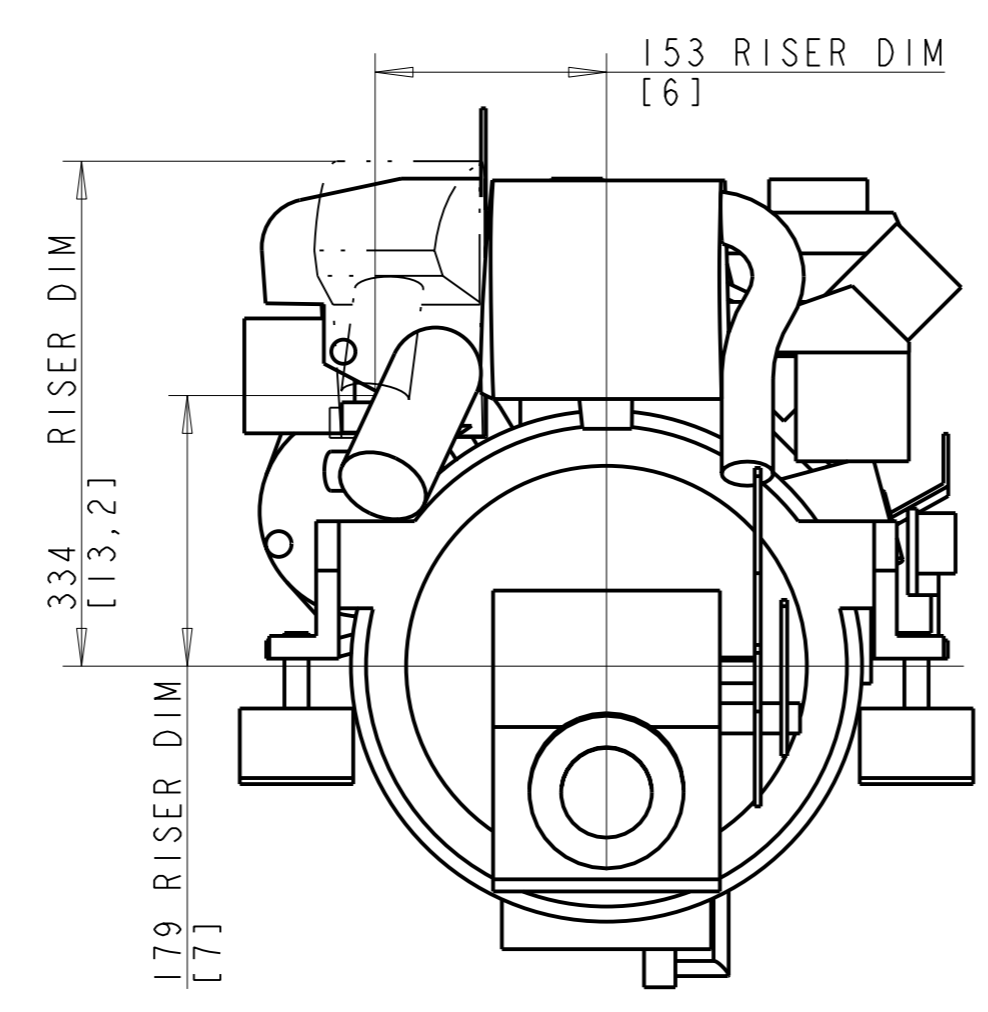
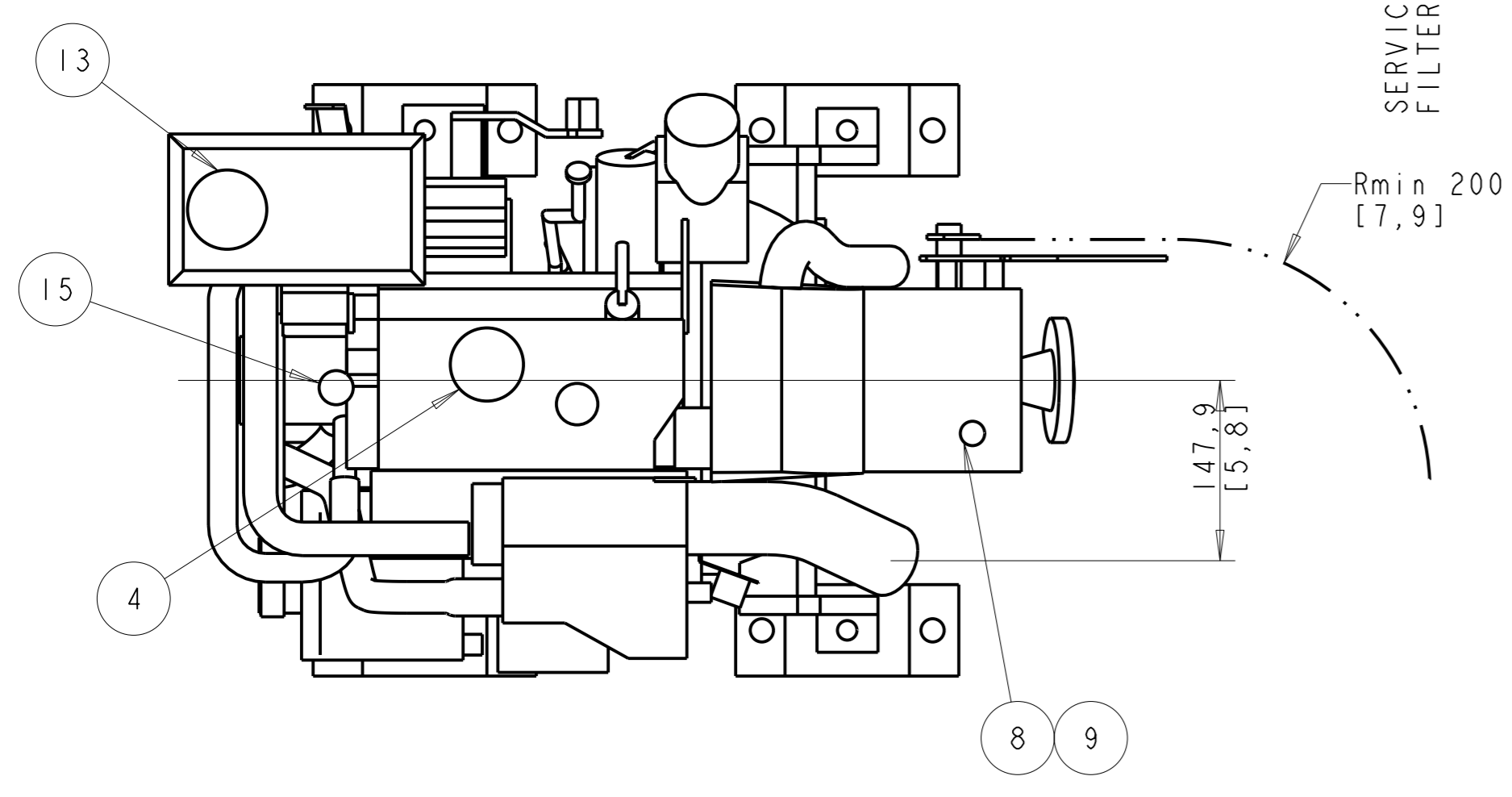
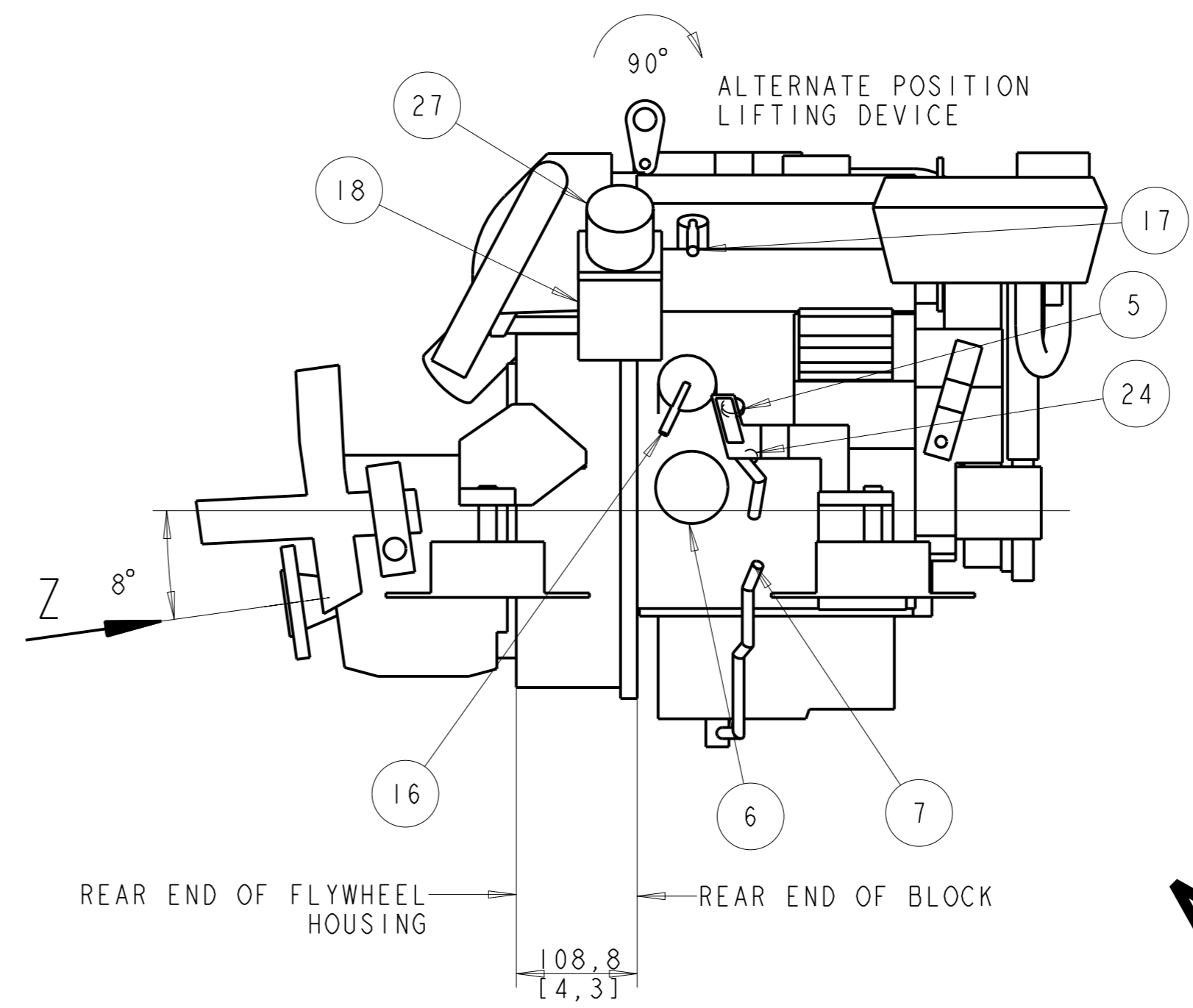
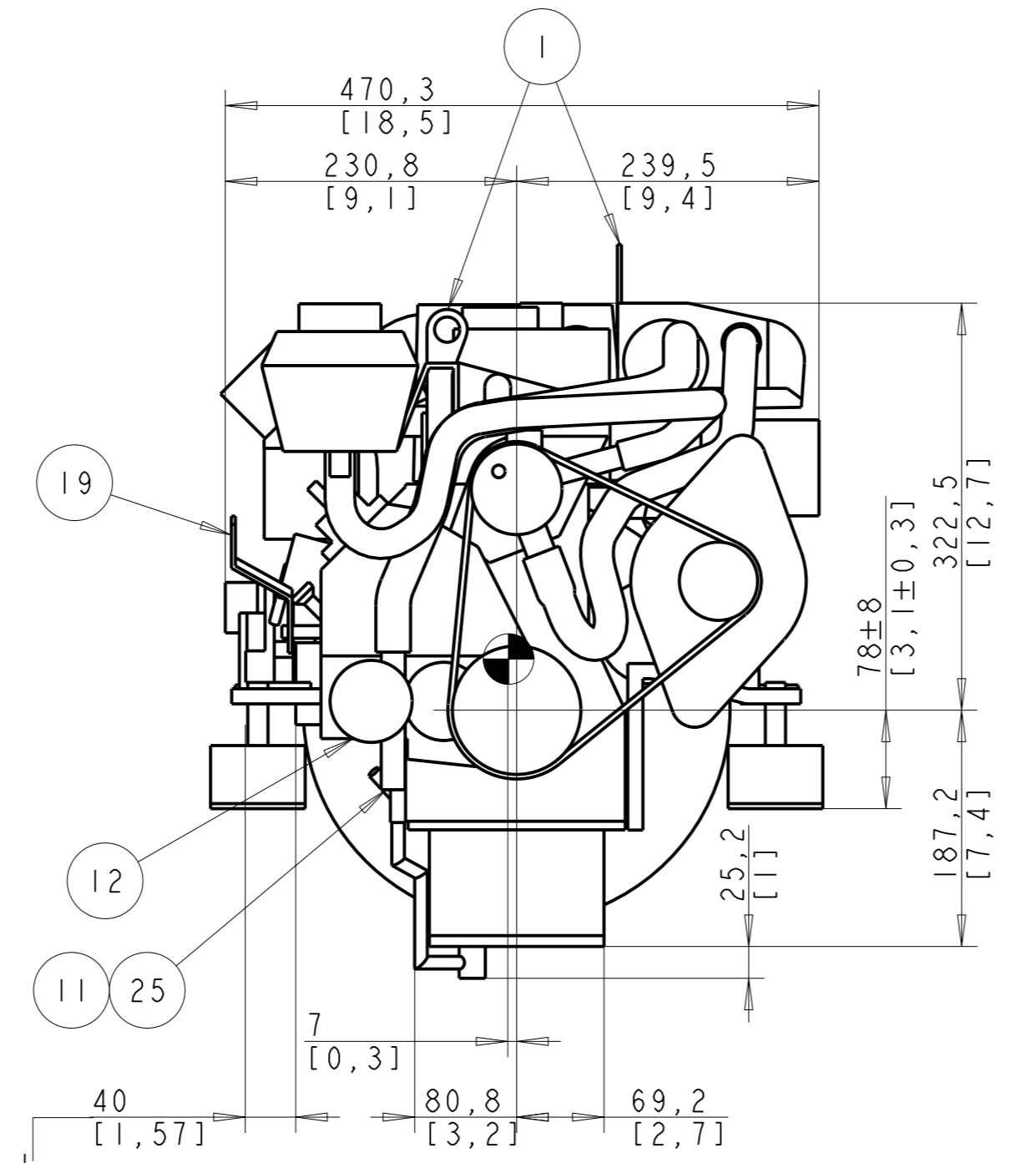
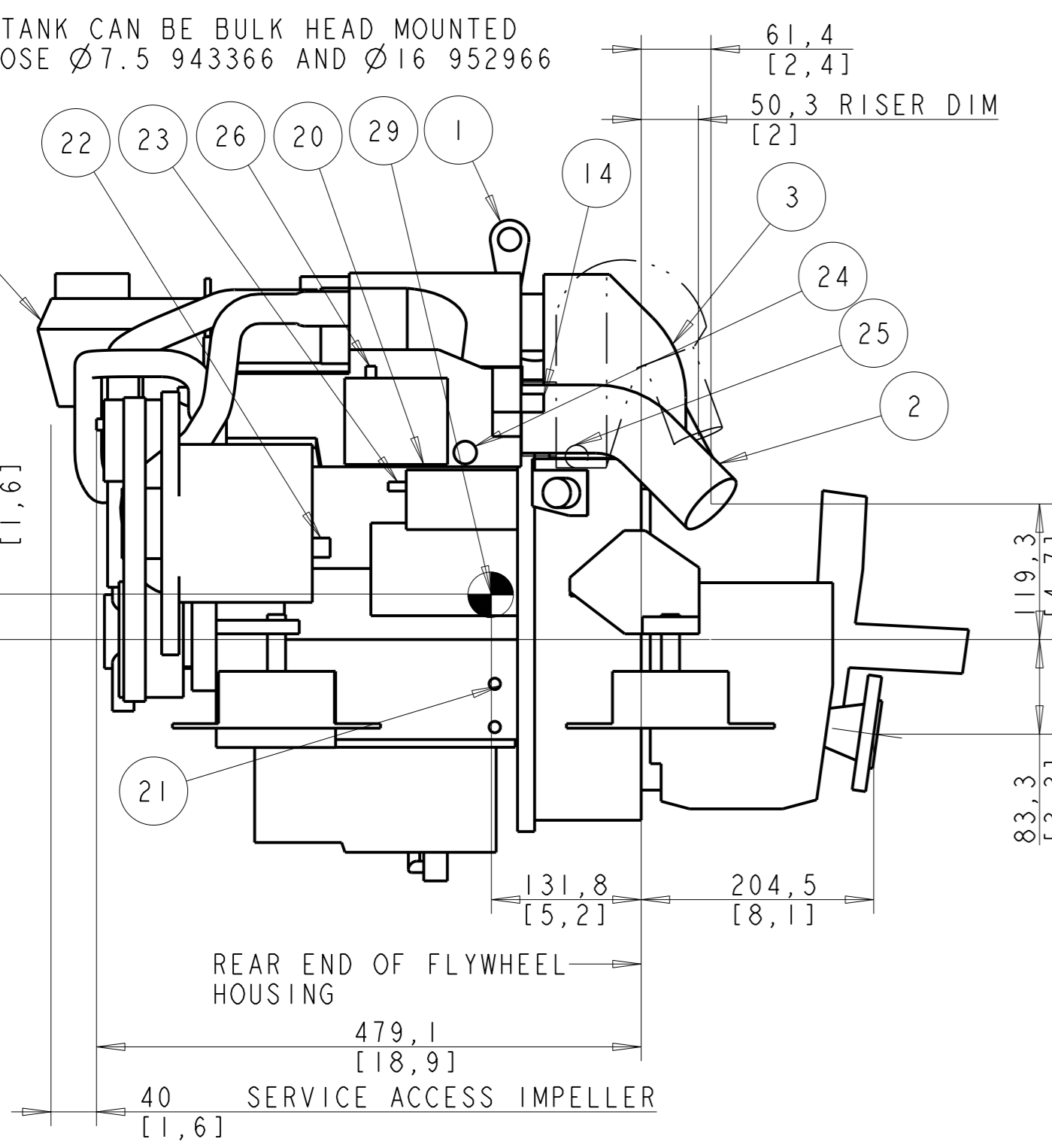


EXPANSION TANK CAN BE BULK HEAD MOUNTED THEN USE HOSE Ø7.5 943366 AND Ø16 952966



Engineering Release Notice (ERN)	Location	Change description A:Added D:Deleted	P/A: W:Was D:	Document release status
				Date Modification count

ADVANCE COPY 05-07-01

OIL CAPACITY INCLUDING OIL FILTER: 2,8 LITERS
 FRESHWATER SYSTEM CAPACITY: 3,0 LITERS
 WEIGHTS:
 DRY 127 kg
 OIL & WATER 134 kg
 DIMENSION IN MILLIMETRES AND [INCHES]

NR	ITEM
1	LIFTING DEVICE
2	EXHAUST ELBOW FOR HOSE I.D 45[1,75]
3	AIR FILTER (SILENCER)
4	OIL FILLING
5	OIL DIPSTICK ENGINE
6	OIL FILTER
7	OIL DRAIN (WITH PUMP) ENGINE I.D 8 [0.35]
8	OIL DIPSTICK REVERSE GEAR
9	OIL FILLER CAP REVERSE GEAR
10	OIL DRAIN REVERSE GEAR
11	SEAWATER INLET FOR HOSE I.D 19[0,75]
12	SEA WATER PUMP
13	WATER FILLER CAP FRESH WATER
14	HOTWATER OUTLET
15	HOTWATER INLET
16	FUEL CONNECTION FOR HOSE I.D 10 [3/8]
17	FUEL RETURN CONNECTION FOR HOSE I.D 10 [3/8]
18	FUEL FILTER
19	SPEED CONTROL LEVER
20	CONNECTION BOX FOR EXTENSION CABLE
21	BATTERY MINUS (-) CONNECTION
22	PLUS (B+) CONNECTION FOR CHARGING DISTRIBUTOR
23	STARTER BATTERY PLUS (+) CONNECTION
24	WATER DRAIN FRESH WATER
25	WATER DRAIN SEAWATER
26	AUTOMATIC FUSE RESET
27	HAND PRIMER PUMP
28	RISER (OPTIONAL)
29	CENTRE OF GRAVITY

1) REQUIRED DOCUMENTS				
DWG No	ISSUE	CAD DRAW NAME	CAD PART/ASSY NAME	BASE
3591388	01	3591388	3591388_1	

SYMBOLS, DESIGNATIONS AND GENERAL DRAWING METHODS STD 101-0005 AND STD 5023-503

The copying, distribution and utilization of this document as well as the communication of its contents to others without expressed authorization is prohibited. Offenders will be held liable for payment of damages. All rights reserved in the event of the grant of a patent, utility model or ornamental design registration.

VOLVO PENTA

Document title: DI-20/MS10A
 Document type:
 Owner domain: Document prefix
 Document No: 3591388
 Issue index: 01
 Sheet No: 1/1